

PARTS CATALOG

FOR

^{inpa}
ONAN AH-AC SERIES

ELECTRIC GENERATING PLANTS

50 & 60 CYCLE

SPECIFICATIONS

K-L-M

D.W. ONAN & SONS INC. MINNEAPOLIS 14. MINN.

108-17

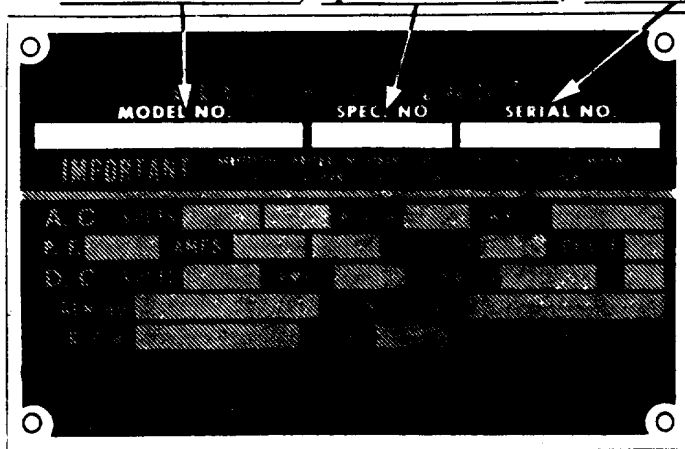
INSTRUCTIONS FOR ORDERING REPAIR PARTS

FOR PARTS OR SERVICE, CONTACT THE DEALER FROM WHOM YOU PURCHASED THIS EQUIPMENT OR REFER TO YOUR NEAREST AUTHORIZED SERVICE STATION.

TO AVOID ERRORS OR DELAY IN FILLING YOUR PARTS ORDER, PLEASE FURNISH ALL INFORMATION REQUESTED.

REFER TO THE NAMEPLATE ON YOUR PLANT

1. Always give the Model No. -----, Spec. No. -----, and Serial No. -----,



2. Order only parts that have a quantity shown under the "Parts Reference Letter" that applies to your plant. These letters are listed under "Quantity Used" in the parts list. "Parts Reference Letters" are given in the Data Table on Page 1.
3. Do not order by reference number or group number, use part number and description.
4. Give the part number, description and quantity needed of each item. If an old part cannot be identified, return the part prepaid to your dealer or nearest AUTHORIZED SERVICE STATION. Print your name and address plainly on the package. Write a letter to the same address stating the reason for returning the part.
5. State definite shipping instructions.

Any claim for loss or damage to your unit in transit should be filed promptly against the transportation company making the delivery. Shipments are complete unless the packing list indicates items are back ordered.

Prices in this catalog should be considered as approximate, for estimating purposes. For current prices write, specifying part numbers.

ALL PARTS PRICES ARE F. O. B. FACTORY AND SUBJECT TO CHANGE WITHOUT NOTICE.

(TODOS LOS PRECIOS DE LOS REPUESTOS SE ENTIENDEN F. O. B. FABRICA Y SON SUJETOS A CAMBIO SIN PREVIO AVISO.)

Th
sta
Fo
us
fur

Th
Ta
del

1.

2.

3.

Wh
nu

03

03

04

04

05

05

0'

0'

AH-AC SERIES PARTS CATALOG

This parts catalog applies specifically to the AH Series generating plants of the standard models and SPECIFICATION designations as shown in the Plant Data Table. For generating plants which carry a different SPEC. designation on the nameplate, use the parts list as a general guide in selecting the necessary parts. Be sure to furnish the Model, Spec., and Serial No. of the plant.

The parts Reference Letters A, B, C, and D in the last column of the Plant Data Table refer to corresponding columns under "Quantity Used" in the Parts List. To determine which column applies to your plant, proceed as follows.

1. Compare the model of your plant and its nameplate data, (watts, volts, and cycles) with the Data Table.
2. Select the line in the table which agrees with your plant. Use the Parts Reference Letter for this line.
3. The Parts Reference Letter for this line indicates which column (A, B, C, or D) in the Parts List applies to your plant. Only parts which have a quantity shown in this column apply to your plant.

When a serial number is referred to in a part description, check it against the serial number on the plant nameplate, using only the numbers after the dash or letter.

PLANT DATA TABLE

PLANT DESIGNATION		TYPE* OF PLANT	ELECTRICAL OUTPUT			PARTS REF. LETTER
MODEL NUMBER	SPEC.		WATTS	VOLTS	CYCLES	
03AH-51M, 03AH-52M	1K,1L,1M	MANUAL	300	115 or 230	50	A
03AH-51R, 03AH-52R	1K,1L,1M	REMOTE CONTROL	300	115 or 230	50	B
04AH-1M, 04AH-2M	1K,1L,1M	MANUAL	400	115 or 230	60	A
04AH-1R, 04AH-2R	1K,1L,1M	REMOTE CONTROL	400	115 or 230	60	B
05AH-51M, 05AH-52M	1K,1L,1M	MANUAL	500	115 or 230	50	C
05AH-51R, 05AH-52R	1K,1L,1M	REMOTE CONTROL	500	115 or 230	50	D
07AH-1M, 07AH-2M	1K,1L,1M	MANUAL	750	115 or 230	60	C
07AH-1R, 07AH-2R	1K,1L,1M	REMOTE CONTROL	750	115 or 230	60	D

* Manual type plants are designed for portable service. The manual type plant can be started only by cranking with the pull rope.

* Remote control type plants are designed for permanent, or stationary, installations. The remote control plant may be connected to batteries for electrical starting. Extra start-stop switches, or automatic control equipment may be connected to the plant.

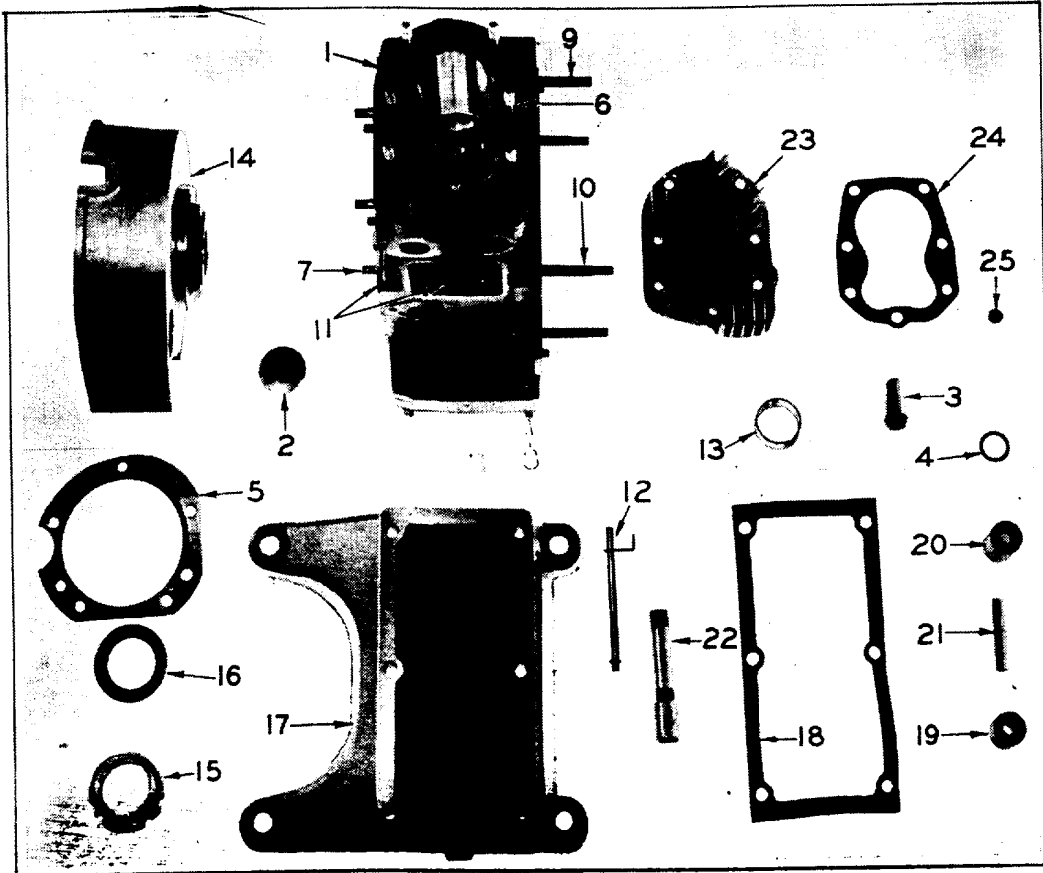


FIG. 1 - CRANKCASE AND OIL BASE GROUP

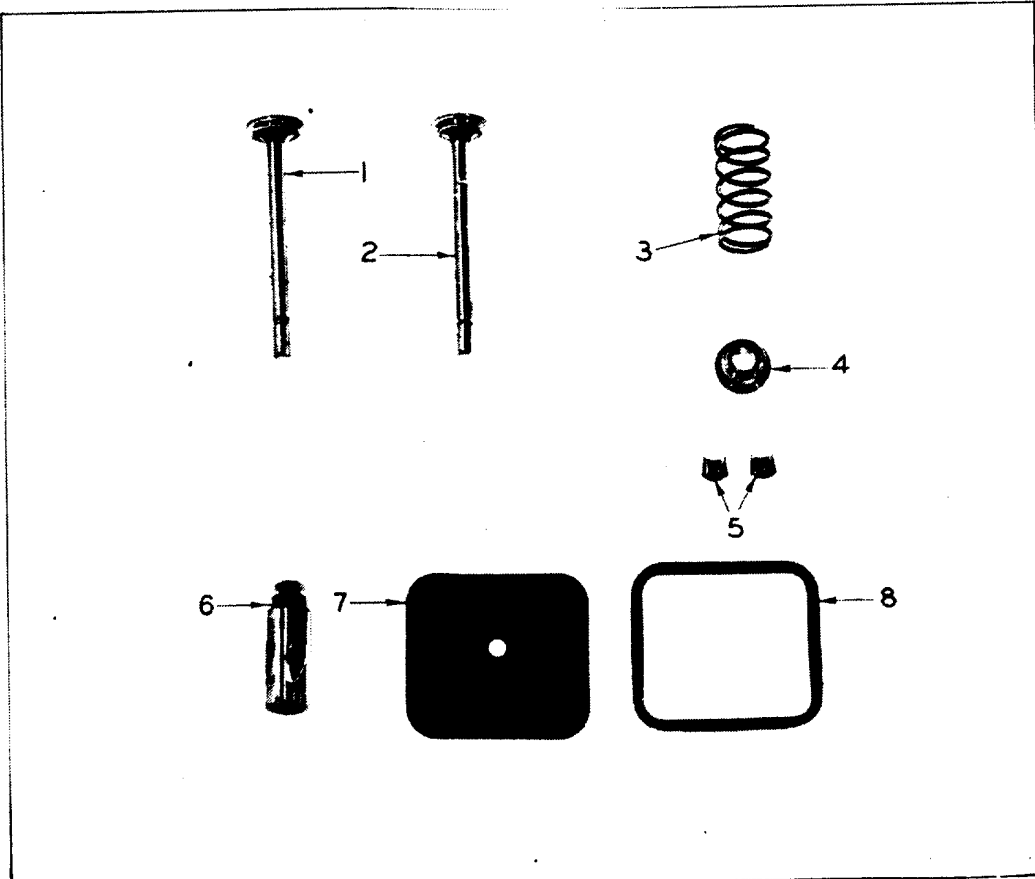


FIG. 2 - VALVE GROUP

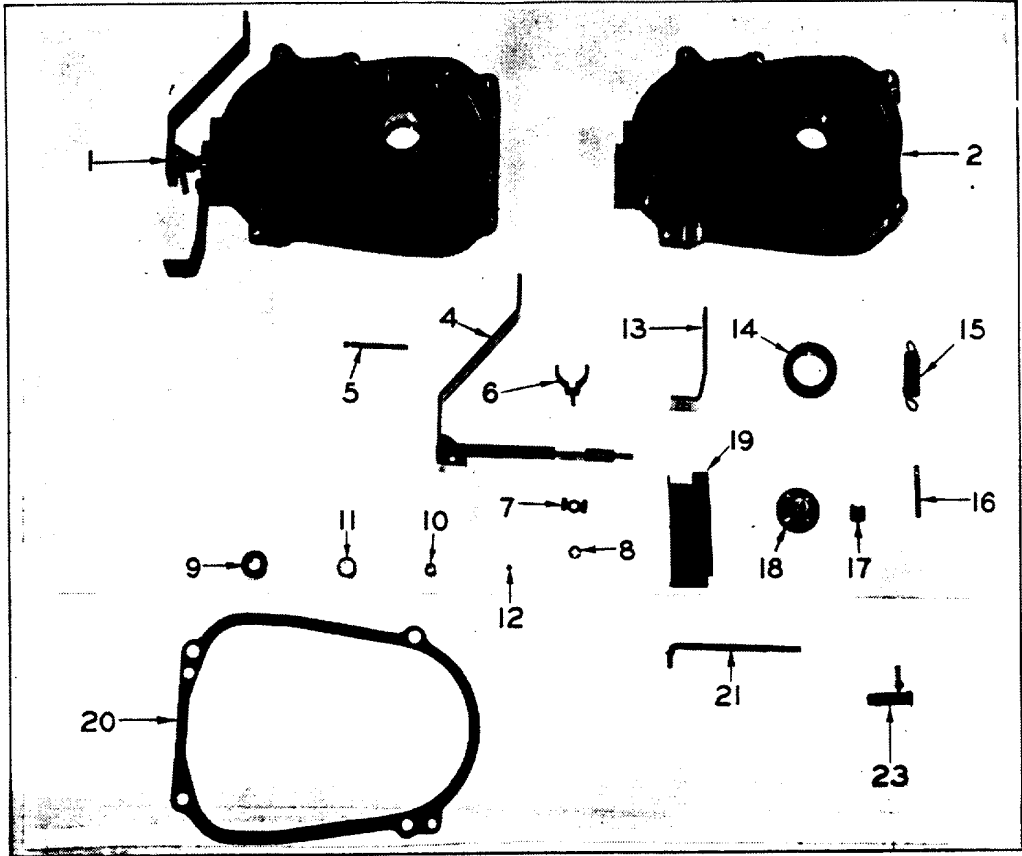


FIG. 3 - GEAR COVER GROUP

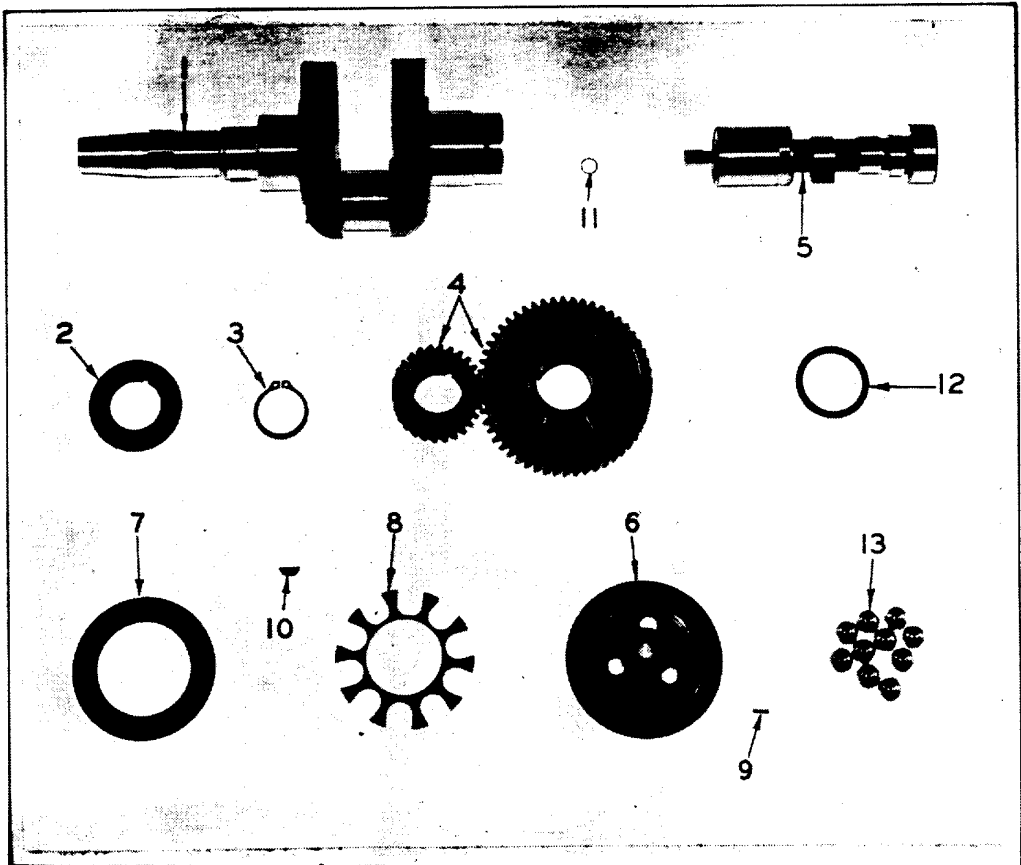


FIG. 4 - CRANKSHAFT AND CAMSHAFT GROUP

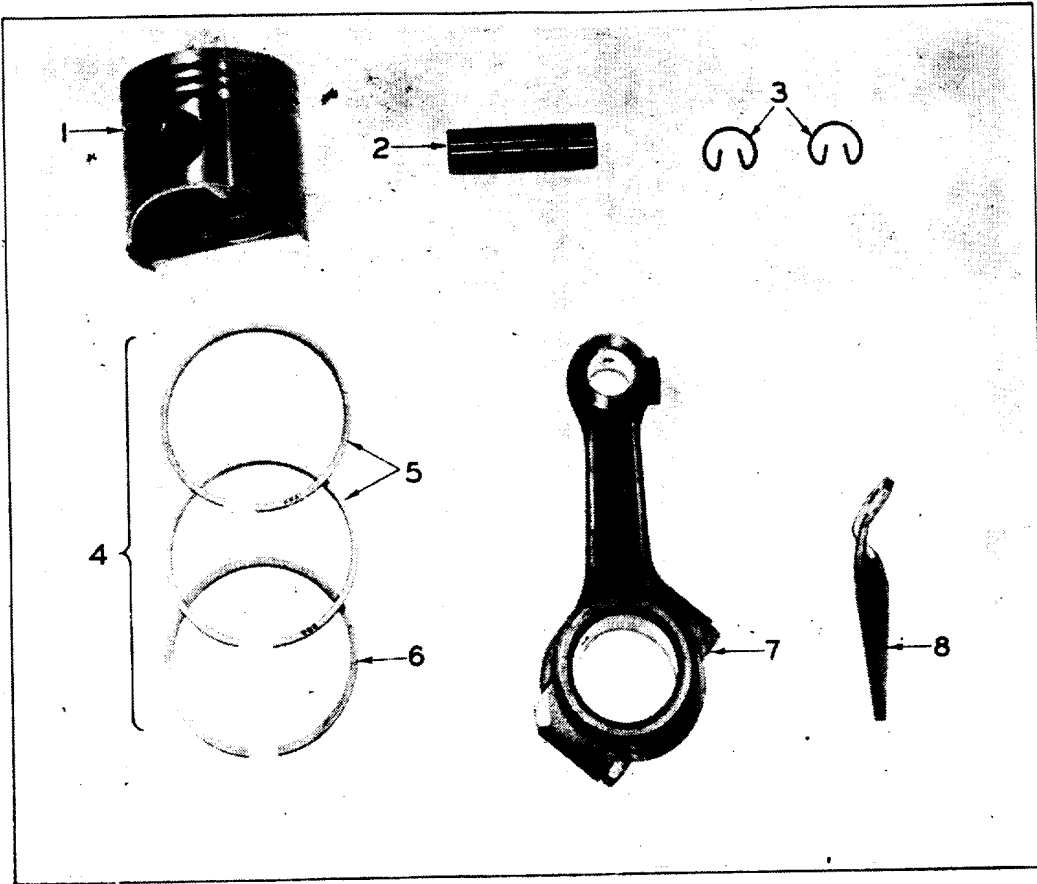


FIG. 5 - PISTON AND CONNECTING ROD GROUP

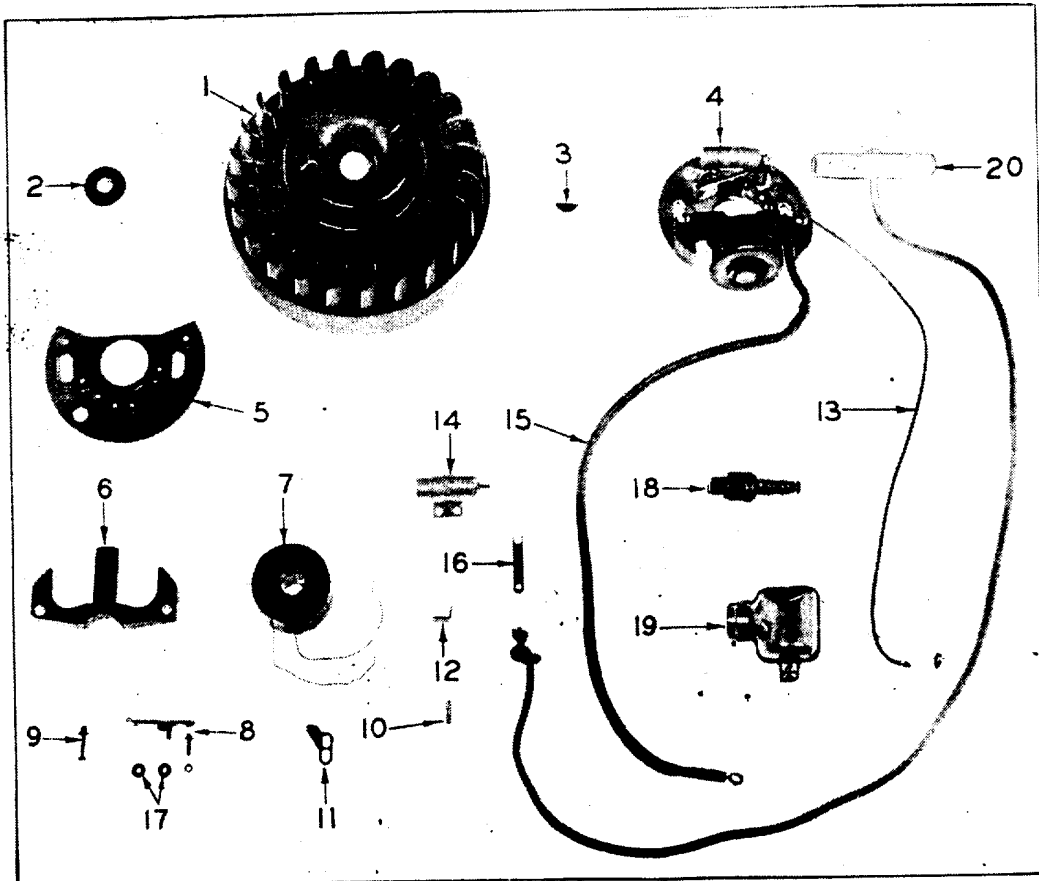


FIG. 6 - MAGNETO GROUP

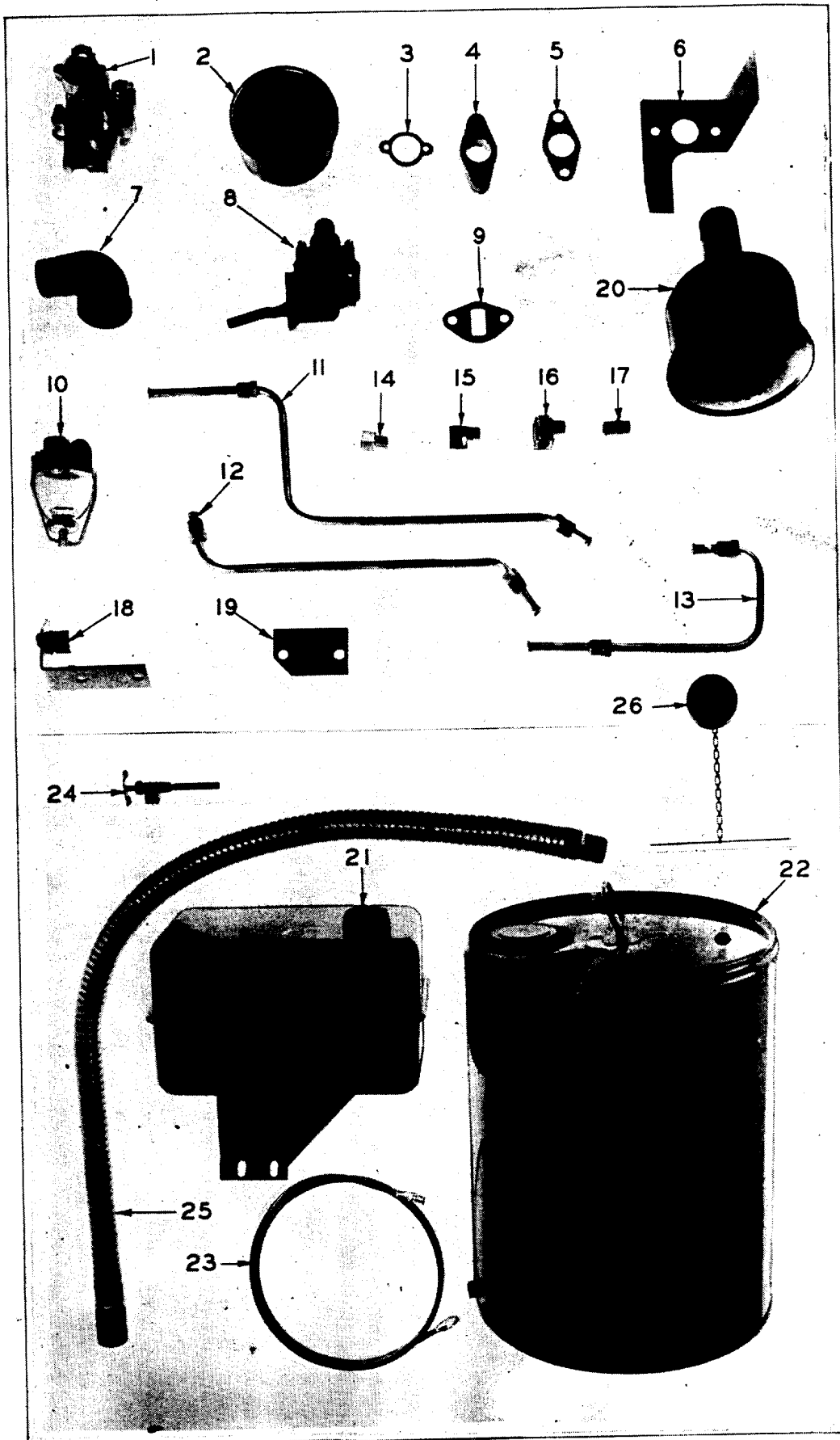


FIG. 7 - FUEL GROUP

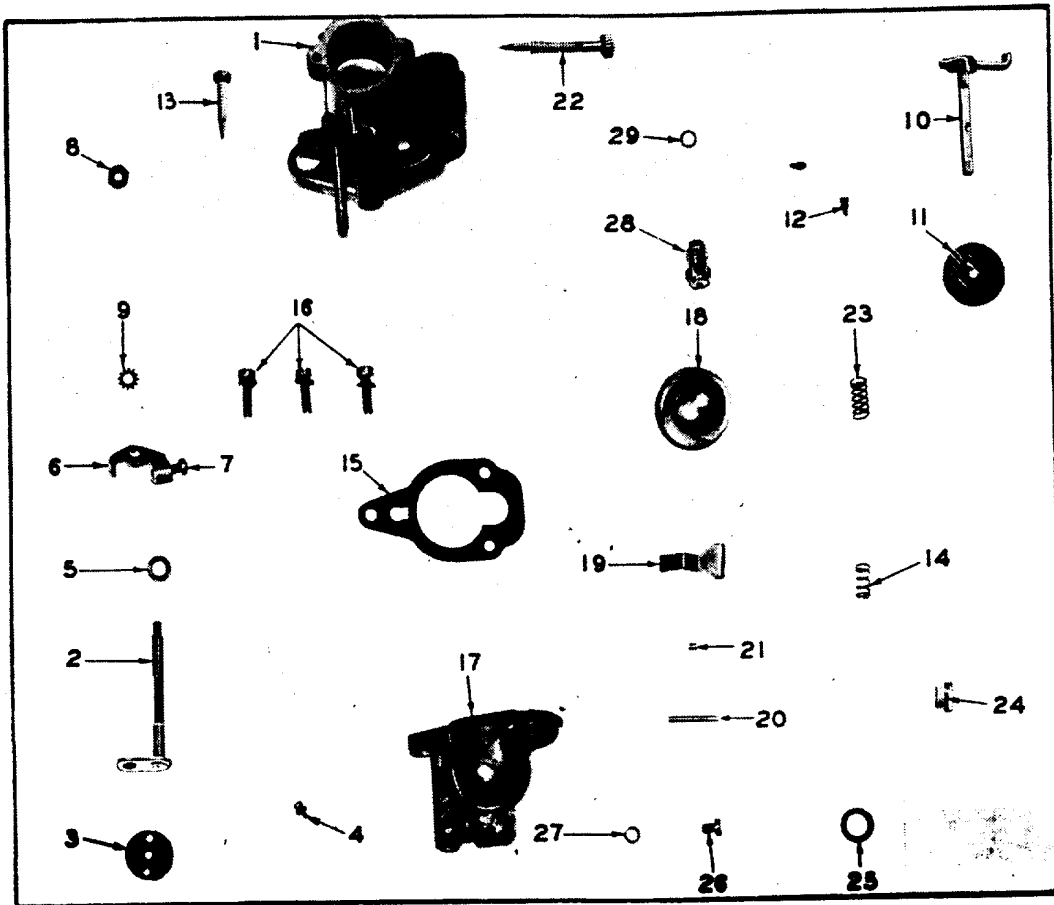


FIG. 8 - CARBURETOR GROUP

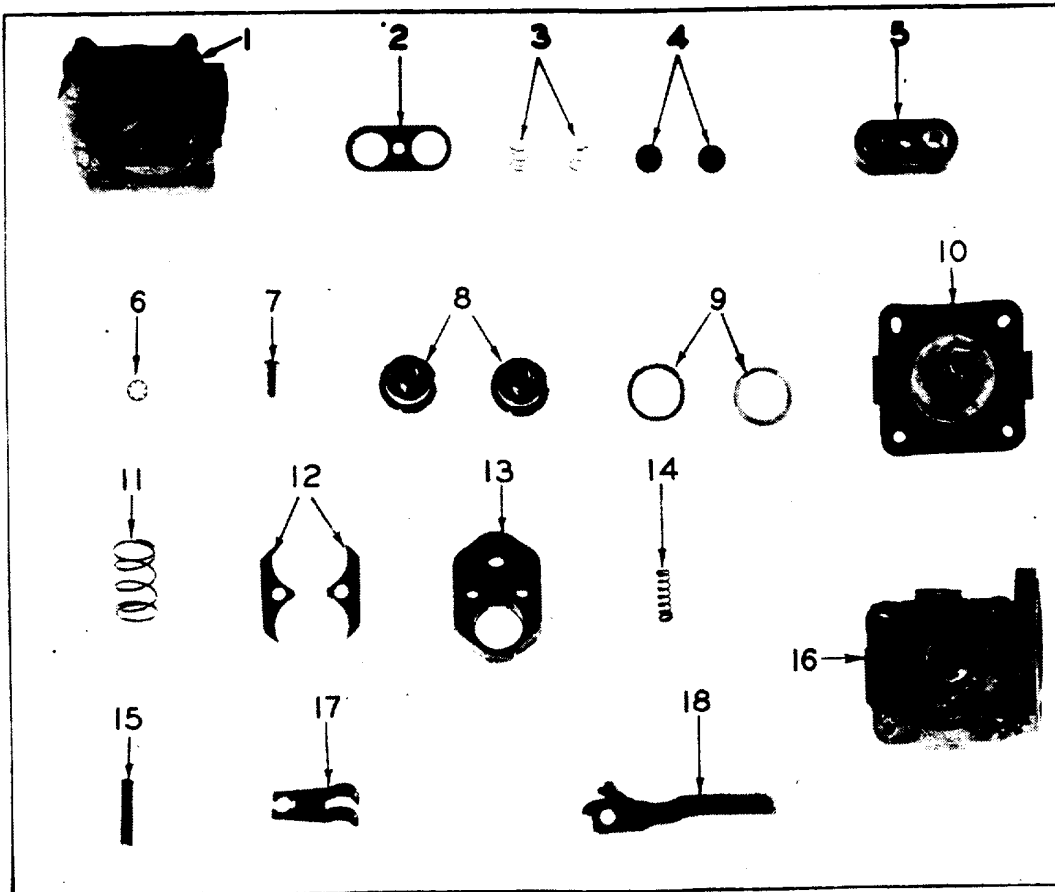


FIG. 9 - FUEL PUMP GROUP

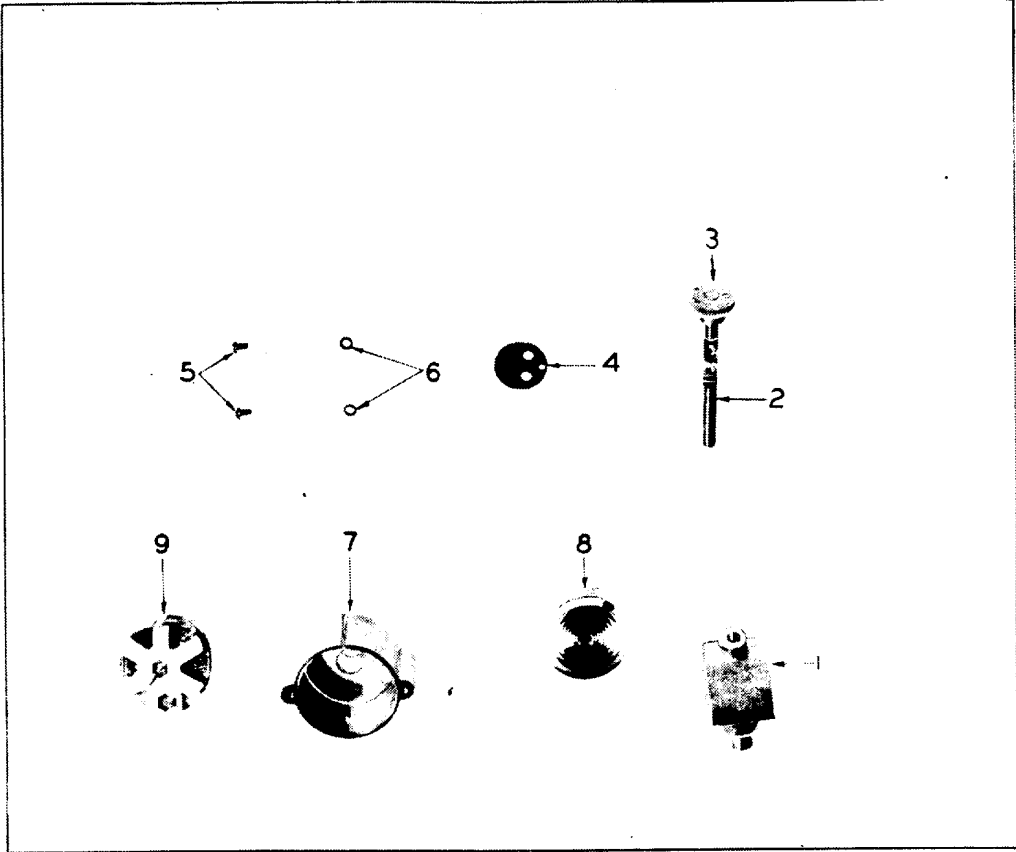


FIG. 10 - ELECTRIC CHOKE GROUP

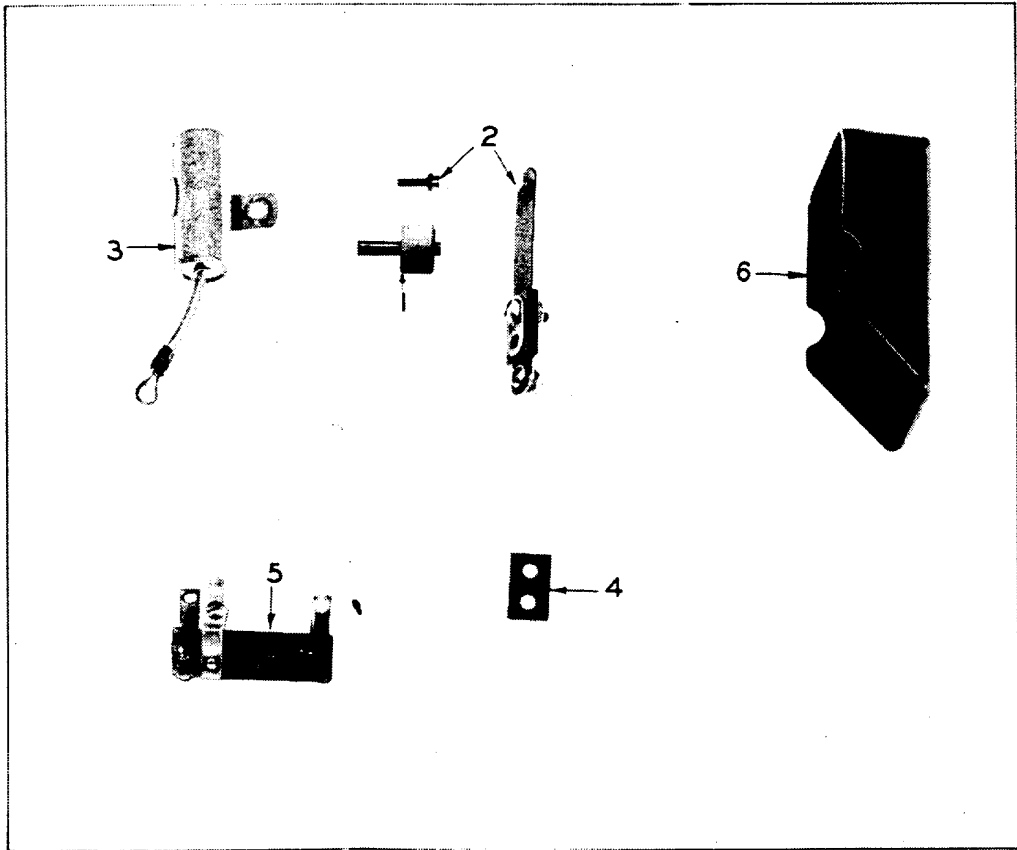


FIG. 11 - ANTI-FLICKER GROUP

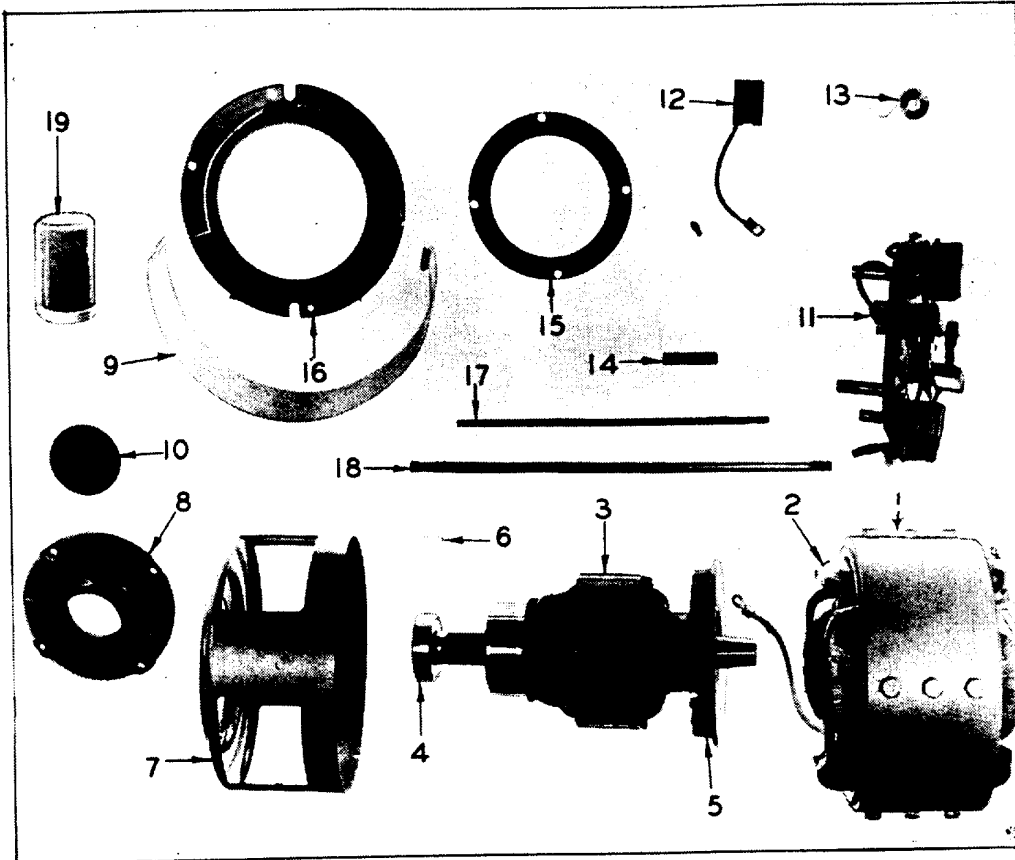


FIG. 12 - GENERATOR GROUP (With Bearing)

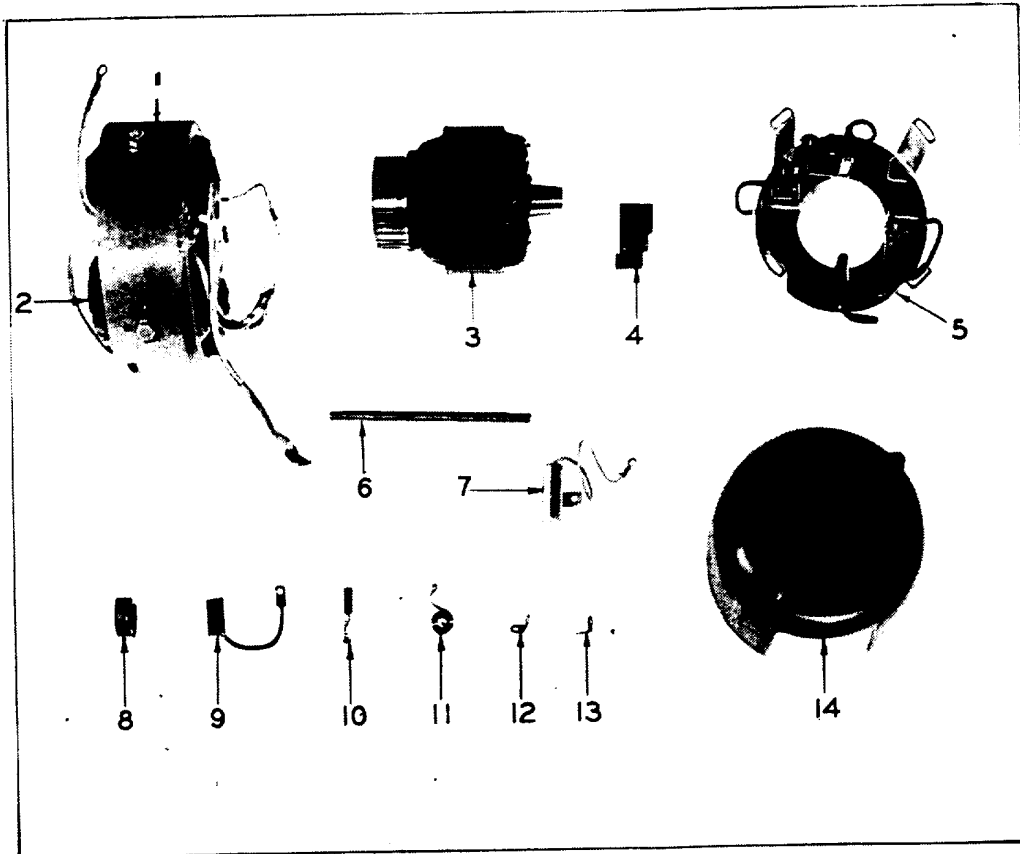


FIG. 13 - GENERATOR GROUP (Without Bearing)

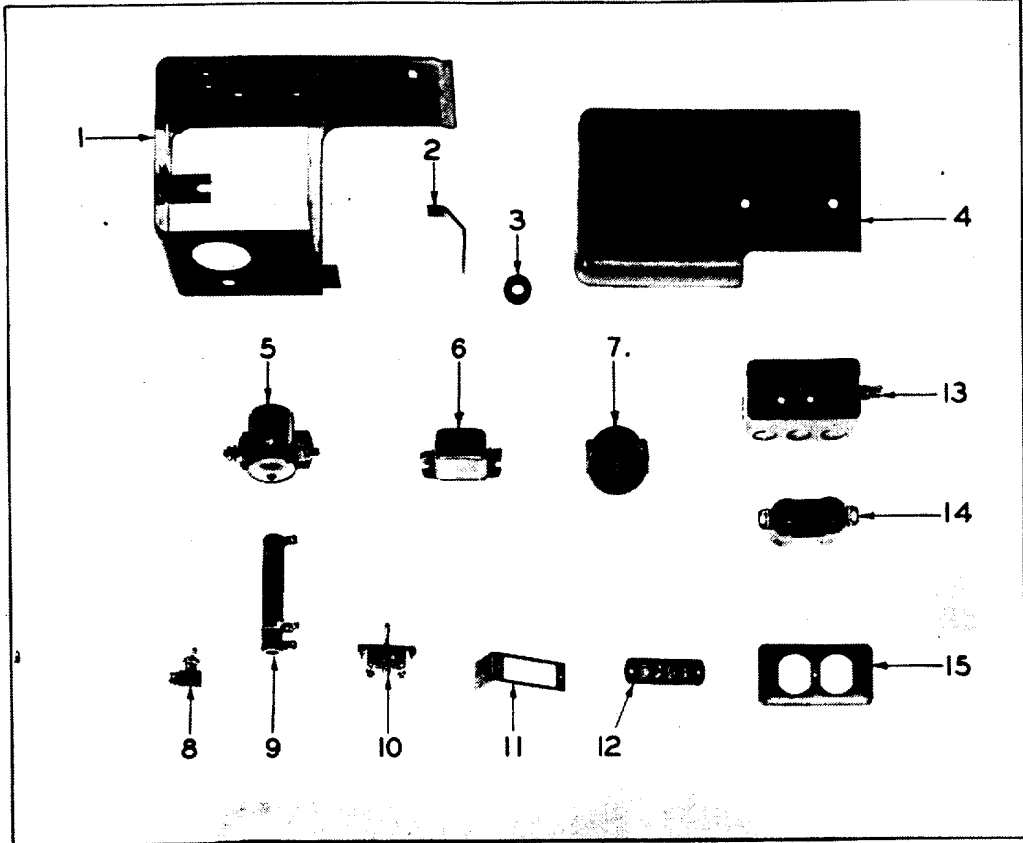


FIG. 14 - CONTROL GROUP

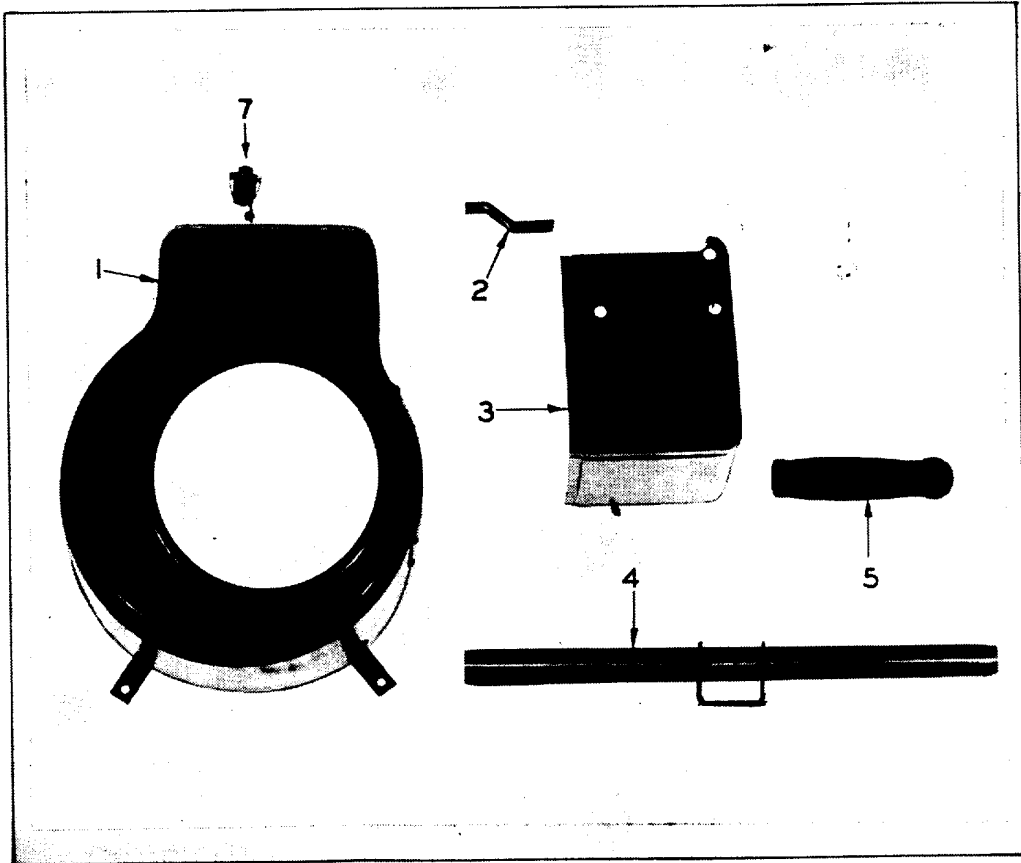


FIG. 15 - AIR HOUSING GROUP

PARTS LIST

REF. PART NO.	DESCRIPTION	QUAN. USED				PRICE EACH
		A	B	C	D	
1	110K671 Kit, Cyl. Block - Includes parts indented below - Prior to Spec M	1	1			46.00
1	110K727 Kit, Cyl. Block - Includes parts indented below - Begin W/Spec M	1	1			**
1	110K669 Kit, Cyl. Block - Includes parts indented below - Prior to Spec M			1	1	47.50
1	110K725 Kit, Cyl. Block - Includes parts indented below - Begin W/Spec M			1	1	**
2	517-18 Plug, Camshaft Rear Bearing Opening	1	2	2	2	.15
3	110A441 Guide, Valve	2	2	2	2	.50
4	110A68 Gasket, Valve Guide	1	1	1	1	.15
	110A317 Insert, Exhaust Valve Seat (Not Shown)	1	1	1	1	2.00
5	101K114 Gasket Kit, Generator Adapter to Engine (1 ea. .006", .015")	1	1	1	1	.15
6	520A79 Stud, Cylinder Head - 5/16 x 1-3/4"	4	4	4	4	.20
6	520A106 Stud, Cylinder Head - 5/16 x 1-13/16"	2	2	2	2	.20
6	520A78 Stud, Cylinder Head - 5/16 x 1-15/16"	1	1	1	1	.20
7	520A114 Stud, Generator Adapter - 5/16 x 1-5/16"	5	5	5	5	.20
9	520A115 Stud, Gear Cover - 5/16 x 2-1/8"	2	2	2	2	.20
10	520A357 Stud, Gear Cover 5/16 x 2-3/4"	2	2	2	2	.20
	520A123 Stud, Valve Box Cover (Not Shown) 1/4 x 2-3/8"	1	1	1	1	.20
11	520A363 Stud, Carburetor Mounting - 1/4 x 1-9/16"	2	2	2	2	**
12	123A135 Tube, Valve Compartment Drain	1	1	1	1	**
13	101A49 Bearing, Camshaft	2	2	2	2	.75
14	101B148 Adapter, Generator to Engine - Includes 1 Bearing #101A44	1	1	1	1	**
14	101B189 Adapter, Generator to Engine - Includes 1 Bearing #101A44	2	2	2	2	12.50
15	101A44 Bearing, Crankshaft - Front or Rear	2	2	2	2	1.75
	516A62 Pin, Bearing Stop (Not Shown) 3/16 x 7/16"	1	1	1	1	.15
16	509-1 Seal, Oil - Crankshaft Rear	1	1	1	1	1.20
17	102D119 Base, Oil (3 U.S. Pint Capacity)	1	1	1	1	5.00
17	102C142 Base, Oil (2 U.S. Quart Capacity) - Mts. W/ 3/8-16 x 2" Screws - Prior to Spec M					6.00
17	102D118 Base, Oil (2 U.S. Quart Capacity) - Mts. W/3/8-16 x 1-3/4" Screws - Begin W/Spec M	1	1	1	1	**
18	102B18 Gasket, Oil Base	1	1	1	1	.30

FIG. 1 - CYLINDER BLOCK AND OIL BASE GROUP

WHEN ORDERING PARTS BE SURE TO INCLUDE MODEL AND SERIAL NUMBER OF UNIT!

PARTS LIST

19	402A44	Cushion, Rubber Mounting - Upper	4	4	4	.20
20	402A45	Cushion, Rubber Mounting - Lower	4	4	4	.20
21	402A48	Bushing, Cushion Spacing	4	4	4	**
22	505-76	Nipple, Pipe - 3/8 x 3" - Oil Drain	1	1	1	**
22	505-28	Coupling, Pipe - 3/8" - Oil Drain	1	1	1	.25
23	110C379	Head, Cylinder	1	1	1	4.09
24	110A159	Gasket, Cylinder Head	1	1	1	.75
24	110A254	Nut, Cylinder Head - Long - 5/16-24	3	3	3	.15
25	516A12	Pin, Dowel - Gear Cover Alignment	2	2	2	.15
	110A445	Nut, Hex - 5/16-24 - Hardened - (5) Gen. Adapter, (4) Cyl. Head, (4) Gear Cover	13	13	13	.15

FIG. 2 - VALVE AND BREATHER GROUP

1	110A150	Valve, Intake	1	1	1	.90
2	110A469	Valve, Exhaust	1	1	1	3.50
3	110A310	Spring, Valve	2	2	2	.25
4	110A6	Retainer, Valve Spring	2	2	2	.20
5	110A8	Lock, Valve Spring Retainer	4	4	4	.15
6	115A6	Tappet, Valve	2	2	2	1.00
7	110A318	Cover, Valve Compartment - Prior to Spec M	1	1	1	.40
7	110A692	Cover, Valve Compartment - With Provision For Breather Valve - Begin Spec M	1	1	1	**
8	110A152	Gasket, Valve Compartment Cover	1	1	1	.15
	123A384	Valve, Breather - Begin with Spec M	1	1	1	**
	503A194	Hose, Breather-5/16I.D. x 4-5/16"(Cut to 3-3/8" for plants less electric choke)	1	1	1	**

FIG. 3 - GEAR COVER GROUP

1	103C88	Cover Assy., Gear - Prior to #427603 - Use 103C88	1	1	1	14.00
1		Cover Assy., Gear - Incl. Parts "a." - Begin W/#427603	1	1	1	
2		a. Cover, Gear - Use 103C88	1	1	1	
4	150K337	a. Kit Arm & Shaft - For Replacement Prior to #427603, (Incl. parts marked *)	1	1	1	**
4	150A334	a. *Arm & Shaft, Begin #427603	1	1	1	1.25

** Price furnished upon request.

PARTS LIST

REF. PART NO.	DESCRIPTION	QUAN. USED				PRICE EACH
		A	B	C	D	
FIG. 3 - GEAR COVER GROUP (CONT.)						
5	150A177 a. Stud, Governor Sensitivity Adjusting.....	1	1	1	1	**
6	150A80 a. Yoke, Governor Shaft - prior to Serial #427603	1	1	1	1	.50
6	150A236 a. *Yoke, Governor Shaft - Begin W/Serial #427603	1	1	1	1	.75
7	150A76 a. Spring, Yoke - Prior to Serial #427603	1	1	1	1	.15
7	150A233 a. *Spring, Yoke - Begin W/Serial #427603	1	1	1	1	.15
8	870-123 a. Nut, Yoke Spring - Prior to Serial #427603 - (Same as 518-27)	1	1	1	1	.15
8	516-36 a. *Pin, Cotter - 1/16" x 3/8"	1	1	1	1	.15
9	509-8 a. *Seal, Oil - Governor Shaft	1	1	1	1	.60
10	510-8 a. Bearing, Governor Shaft Lower	1	1	1	1	.80
11	510-13 a. Bearing, Governor Shaft Upper	1	1	1	1	.65
12	510-14 a. Ball, Governor Shaft Thrust	1	1	1	1	.15
13	150A156 a. Bracket, Governor Spring	1	1	1	1	.20
14	509-12 a. Seal, Oil - Crankshaft Front	1	1	1	1	.85
15	150A98 Spring, Governor	1	1	1	1	.15
16	150A96 Stud, Governor Spring Tension	1	1	1	1	.20
17	150A89 Nut, Governor Adjusting	1	1	1	1	.20
18	Not Used on AC Plants					
19	150A198 Cover, Governor Spring	1	1	1	1	.40
20	103B13 Gasket, Gear Cover	1	1	1	1	.30
21	150A224 Link, Governor Arm	1	1	1	1	.40
23	150A300 Joint, Ball	1	1	1	1	1.00
FIG. 4 - CRANKSHAFT AND CAMSHAFT GROUP						
1	104C56 Crankshaft	1	1	1	1	11.00
2	104A50 Washer, Crankshaft Gear	1	1	1	1	.35
3	518-12 Ring, Lock - Crankshaft Gear	1	1	1	1	.15
4	105-71 Gear Set, Timing - Crankshaft and Camshaft	1	1	1	1	7.00
5	105-78 Camshaft and Pin Assembly	1	1	1	1	6.75
6	150B105 Cup Assembly, Governor - Includes Pin #516-71	1	1	1	1	2.00

WHEN ORDERING PARTS BE SURE TO INCLUDE MODEL AND SERIAL NUMBER OF UNIT!

7	150A77	Plate, Governor Ball	1	1	1	.15
8	150B85	Spacer, Governor Ball	1	1	1	.25
9	516-71	Pin, Governor Cup	1	1	1	**
10	515-1	Key, Gear	2	2	2	.15
11	150A78	Ring, Lock - Camshaft Center Pin	1	1	1	.15
12	105A4	Washer, Camshaft Thrust	1	1	1	.15
13	510-15	Ball, Governor Fly	10	10	10	.15
	150A75	Pin, Governor Center	1	1	1	.20

FIG. 5 - PISTON AND CONNECTING ROD GROUP

1	112-43	Piston and Pin Assembly - Standard	1	1	1	3.75
1	112-43	*Piston and Pin Assembly - .005", .010", .020", .030" Oversize	1	1	1	4.25
2	112A20	*Pin, Piston - Standard - Available in .002" Oversize	1	1	1	.75
3	112A13	Ring, Piston Pin Retaining	2	2	2	.15
4	113-12	*Ring Set, Standard - Avail. in .010", .020", .030" Oversize	1	1	1	1.15
5	113A9	*Ring, Piston Compr. - Standard - Avail. in .010", .020", .030" O.S.	2	2	2	.40
6	113A10	*Ring, Piston Oil - Standard - Avail. in .010", .020", .030" O.S.	1	1	1	.50
7	114B17	Rod, Connecting - Std. - Available in .020" Undersize	1	1	1	3.75
8	114A24	Dipper, Oil	1	1	1	.25
	114A23	Screw, Hex. Hd. Cap - 1/4-20 x 1-1/4 - Connecting Rod	2	2	2	.15

* Specify Size when ordering.

FIG. 6 - MAGNETO GROUP

1	160C47	Flywheel, Magneto	1	1	1	16.50
	160A233	Sheave, Rope	1	1	1	.75
2	526-17	Washer, Flywheel	1	1	1	.15
3	515A113	Key, Flywheel	1	1	1	.15
4	160B305	Backplate Assy., Magneto - Includes Parts a. (Replaces 160C172, 160C11) ..	1	1	1	10.00
5	160A133	a. Backplate, Magneto	1	1	1	1.25
6	160A368	a. Poleshoe, Magneto - Requires square hole type coil	1	1	1	**
7	160B155	a. Coil, Magneto - With square hole (Replaces earlier style W/ rd. hole)	1	1	1	4.00
8	160-174	a. Point Set, Magneto Breaker	1	1	1	1.25
9	160A140	a. Stud, Breaker Arm	1	1	1	.20

** Price furnished upon request.

PARTS LIST

REF. PART NO.	DESCRIPTION	QUAN. USED				PRICE EACH
		A	B	C	D	
FIG. 6 - MAGNETO GROUP (CONT.)						
10	160A139	1				
11	160A289	1	1	1	1	.15
12	166A110	1	1	1	1	.15
13	336A8	1	1	1	1	.15
14	312A1	1	1	1	1	**
15	167A1200	1	1	1	1	.90
16	160A144	1	1	1	1	1.20
17	160A137	1	1	1	1	.15
	160A270	2	2	2	2	.15
18	167-28	1	1	1	1	.15
19	167A67	1	1	1	1	.85
20	192-23	1	1	1	1	.75
	192-17	1	1	1	1	.60
	336A528	1	1	1	1	.15
	518-49	1	1	1	1	**
		1	1	1	1	**
FIG. 7 - FUEL SYSTEM GROUP						
1	141B410	1				9.85
1	141B411			1	1	9.85
2	140A152	1	1	1	1	1.50
2	140A289	1	1	1	1	**
3	145A69	1	1	1	1	**
3	145A64	1	2	1	2	**
4	145A62	1	1	1	1	.15
5	145A63	1	1	1	1	.30
6	145A65	1	1	1	1	.15
7	505-51	1	1	1	1	**
8	149C81	1	1	1	1	.60

WHEN ORDERING PARTS BE SURE TO INCLUDE MODEL AND SERIAL NUMBER OF UNIT!

PARTS LIST

9	149A3	Gasket, Fuel Pump Mtg. or Hole Cover	1	1	1	.15
10	149-79	Filter, Fuel	1	1	1	1.25
11	159B255	Line, Fuel - Filter to Carburetor	1	1		**
12	159B246	Line, Fuel - Tank to Fuel Pump	1	1		**
13	149A251	Line, Fuel - Fuel Pump to Carburetor	1	1	1	.70
13	149A255	Line, Fuel - Filter to Carburetor	1	1	1	**
14	502-3	Connector, Fuel Line	1	1	1	.25
15	502-2	Elbow, Inverted Male - Fuel Line	2	3	2	.35
16	502-20	Elbow, Street (1/8" x 1/8")	1	1	1	.50
17	502-46	Nipple, Close - Fuel Filter	1	1	1	.25
17	505-98	Nipple, Pipe Close - Fuel Filter Elbow to Fuel Pump	1	1	1	.15
18	149A254	Bracket, Fuel Filter	1	1	1	**
19	149A136	Plate, Fuel Pump Opening	1	1	1	.15
20	155-143	Muffler	1	1	1	2.00
21	159C223	Tank and Bracket Assembly, Fuel - Less Cap	1	1		**
21	159C138	Tank and Bracket Assembly, Fuel - Less Cap	1	1		6.00
22	415A10	Tank, Fuel - 5 Gallon	1	1	1	3.50
23	501A27	Line, Fuel - Flexible	1	1	1	1.65
23	159A56	Line, Fuel - 72" long tubing	1	1	1	1.50
24	504A13	Cock, Fuel Shut-Off	1	1	1	2.20
25	155B1	Tube Assembly, Exhaust	1	1	1	2.75
26	159A80	Cap, Fuel Tank	1	1	1	.60
	149-150	Bowl, Fuel Filter	1	1	1	.20
	149A149	Gasket, Fuel Filter Bowl	1	1	1	.15

FIG. 8 - CARBURETOR GROUP

1	141B410	Carburetor Assembly	1	1	1	9.85
1	141B411	Carburetor Assembly	1	1	1	9.85
1	141-413	Body, Throttle (Not Sold Separately)	1	1	1	1.00
2	141-424	Body, Throttle (Not Sold Separately)	1	1	1	.65
3	141-386	Shaft, Throttle	1	1	1	**
4	141-383	Plate, Throttle	1	1	1	**
5	141-414	*Screw and Washer, Throttle Plate	1	1	1	**
5	141-394	Spacer, Throttle Stop Lever	1	1	1	**
6	141-382	Lever, Throttle Stop	1	1	1	.35

** Price furnished upon request.

PARTS LIST

REF. PART NO.	DESCRIPTION	QUAN. USED				PRICE EACH
		A	B	C	D	
7	141-66 Screw, Throttle Stop Lever	1				.15
8	141-380 Nut, Throttle Shaft	1				.15
9	141-381 Lockwasher, Throttle Shaft Nut	1				**
10	141-398 Shaft, Choke	1				.90
11	141-399 Plate, Choke	1				.30
12	141-414 *Screw and Washer, Choke Plate	1				**
13	141-379 *Needle, Idle Adjusting	1				.45
14	141-384 Spring, Idle Needle	1				.15
15	141-387 **Gasket, Bowl to Body	1				.15
16	141-415 *Screw and Washer, Body	1				**
17	141-393 Bowl, Fuel - Not Sold Separately	3				.70
18	141-133 Float	1				.35
19	141-388 *Lever, Float	1				.15
20	141-390 *Axle, Float	1				.15
21	141-425 *Plug, Axle Retaining	2				.70
22	141-416 *Needle, Main Adjusting	1				.15
23	141-200 Spring, Main Adjusting Needle	1				.25
24	141A43 Plug, Main Jet Passage	1				.15
25	141-71 ***Washer, Main Jet Plug	1				**
26	141-418 Jet, Main	1				**
27	141-419 **Washer, Main Jet	1				1.10
28	141-420 *Valve, Fuel Inlet	1				.15
29	141-144 ***Washer, Fuel Inlet Valve	1				.20
	141K422 Kit, Gasket - Contains Parts Marked ***	1				
	141K423 Kit, Repair - Contains Parts Marked * and ***	1				4.00

FIG. 8 - CARBURETOR GROUP (CONT.)

WHEN ORDERING PARTS BE SURE TO INCLUDE MODEL AND SERIAL NUMBER OF UNIT!

PARTS LIST

FIG. 9 - FUEL PUMP GROUP

149C81	Pump, Fuel - (Blaking Mfr.)	1	1	6.00
149C201	Pump, Fuel - (AC Mfr.)	1	1	6.00
	Body, Upper - NOT Sold Separately			
	*Gasket, Valve Retainer - AC Pump			**
	*Spring, Valve - AC Pump			**
	*Valve, Fibre - AC Pump			**
149-243	Retainer, Valve - AC Pump	1	1	**
149-240	Washer, Valve Retainer Screw			**
149-241	Screw, Valve Retainer - AC Pump			**
814-62	Screw, Valve Retainer - Blaking Pump	1	1	**
	*Valve Assembly - Blaking Pump			
	*Gasket, Valve - Blaking Pump			
149A97	***Diaphragm Assembly	1	1	1.00
149A93	***Spring, Diaphragm	1	1	.15
	*Gasket, Valve Retainer - Blaking Pump			
149A84	Retainer, Valve - Blaking Pump	1	1	.75
149A94	***Spring, Rocker Arm	1	1	.15
516A25	Pin, Rocker Arm	1	1	.30
	Body, Lower - Not Sold Separately			
149A87	Link, Rocker Arm	1	1	.60
149A86	Arm, Rocker	1	1	1.00
149K74	Kit, Fuel Pump Repair - includes parts marked * and ***	1	1	1.85
	* Parts available only in repair kit.			
	*** Parts available separately, included in repair kit.			
141A374	Adapter, Choke	1	1	**
141A371	Shaft, Choke	1	1	1.00
141A372	Knob, Choke Shaft	1	1	.50
141A373	Valve, Choke	1	1	.15
141-68	Screw, Choke Valve	2	2	.15
141-69	Lockwasher, Valve Screw	2	2	.15
153A58	Bracket, Choke Bimetal Element	1	1	.60
153A17	Element, Choke Bimetal	1	1	.75
153A113	Cover Assembly, Choke - Includes Heat Element	1	1	1.50

FIG. 10 - ELECTRIC CHOKE GROUP

1	141A374	Adapter, Choke	1	**
2	141A371	Shaft, Choke	1	1.00
3	141A372	Knob, Choke Shaft	1	.50
4	141A373	Valve, Choke	1	.15
5	141-68	Screw, Choke Valve	2	.15
6	141-69	Lockwasher, Valve Screw	2	.15
7	153A58	Bracket, Choke Bimetal Element	1	.60
8	153A17	Element, Choke Bimetal	1	.75
9	153A113	Cover Assembly, Choke - Includes Heat Element	1	1.50

** Price furnished upon request.

PARTS LIST

REF. PART NO.	DESCRIPTION	QUAN. USED				PRICE EACH
		A	B	C	D	
FIG. 11 - ANTI-FLICKER GROUP						
1	160A269 Plunger, Breaker	1	1	1	1	.35
2	160A175 Point Set, Contact	1	1	1	1	1.25
3	312A19 Condenser	1	1	1	1	1.00
4	166A41 Insulator, Breaker Arm	2	2	2	2	.15
5	304-253 Resistor - Fixed - Mtd. in Generator Adapter - 1/2 Ohm, 3/4 x 2"					**
5	304P12 (Replaces 304A163 or 304-132, 1 Ohm, Adj.)	1	1	1	1	1.75
6	166A25 Resistor - Adjustable - Mtd. on Brush Rig - 1.5 Ohm, 3/4 x 2"	1	1	1	1	.25
	160A263 Cover, Contact Points	1	1	1	1	.15
	520A347 Diaphragm, Plunger	1	1	1	1	.20
	304A15 Stud, Contact Point Cover	1	1	1	1	.15
	Washer, Centering - for Mtg. 3/4" Resistor	2	2	2	2	
FIG. 12 - GENERATOR GROUP (500 and 700 WATT AC)						
1	210A1249 Frame Assy., - Includes Coils and Pole Shoes - 50 and 60 Cycle, 115 and 230 Volt Plants					**
1	210A1236 Frame Assy. - Includes Coils and Pole Shoes - 50 and 60 Cycle, 115 and 230 Volt Plants	1				**
2	222A1222 Coil Assy., Field - Set of 4 Coils - 50 and 60 Cycle, 115 and 230 Volt Plants		1			**
2	222A1208 Coil Assy., Field - Set of 4 Coils - 50 and 60 Cycle, 115 and 230 Volt Plants		1			**
3	201A287 Armature Assembly - Incl. Bearing & Blower - 60 Cycle, 115 Volt Only	1	1	1	1	62.50
3	201A304 Armature Assembly - Incl. Bearing & Blower - 60 Cycle, 230 Volt Only	1	1	1	1	**
3	201A317 Armature Assembly - Incl. Bearing & Blower - 50 Cycle, 115 Volt Only	1	1	1	1	**
3	201A315 Armature Assembly - Incl. Bearing & Blower - 50 Cycle, 230 Volt Only	1	1	1	1	**
4	510A1 Bearing, Armature	1	1	1	1	3.75
5	205B16 Blower, Generator - Mtd. by 2 screws - Used on Early Spec M & before, plants.	1	1	1	1	**
5	205B29 Blower, Generator - Mtd. by press fit on shaft - Used beginning with Late Spec M plants. Also on replacement Armatures for Earlier Plants. ..					**
6	232A316 Clip, Bearing Stop - Slot on Bearing is not required.	1	1	1	1	.15
6	232A596 Clip, Bearing Stop - Requires Slot on Bearing	1	1	1	1	**

WHEN ORDERING PARTS BE SURE TO INCLUDE MODEL AND SERIAL NUMBER OF UNIT!

PARTS LIST

7	211C30	Bell, End	1	1	3.50
8	232B249	Hub, Bearing	1	1	**
9	232B273	Band, End Bell	1	1	.75
9	232A5	Band, End Bell	1	1	**
10	232A372	Plug, Bearing Hub	1	1	.20
11	212C127	Rig Assembly, Brush - Includes Brushes and Springs	1	1	11.00
12	214A41	Brush, Commutator	4	4	1.00
12	214A19	Brush, Collector Ring	2	2	.75
13	212A1003	Spring, Commutator Brush	4	4	.25
13	212A1004	Spring, Collector Ring Brush	2	2	.25
14	212A1056	Support, Brush Rig	4	4	.15
15	212A1061	Ring, Brush Rig Spider	1	1	**
16	232B210	Scroll, Air - Generator Ventilating	1	1	**
17	520A349	Stud, Generator Frame and End Bell - 1/4 x 9-5/8"	2	2	**
18	520A164	Stud, Armature Through - 3/8 x 13-5/16"	1	1	.40
19	420-82	Grease, Bearing	1	1	.35
	221A59	Shoe, Pole	4	4	**

FIG. 13 - GENERATOR GROUP (300 & 400 WATT AC)

1	210A1298	Frame Assy. - Includes Coils and Pole Shoes	1	1	**
1	210A1302	Frame Assy. - Includes Coils and Pole Shoes	1	1	**
2	222A1248	Coil Assembly - Field - Set of 4 Coils	1	1	**
2	222A1252	Coil Assembly - Field - Set of 4 Coils	1	1	**
3	201A422	Armature Assembly - 60 Cycle, 115 Volt Only	1	1	**
3	201A423	Armature Assembly - 60 Cycle, 230 Volt Only	1	1	**
3	201A430	Armature Assembly - 50 Cycle, 115 Volt Only	1	1	**
3	201A437	Armature Assembly - 50 Cycle, 230 Volt Only	1	1	**
4	212A1041	Block, Collector Ring Brush Guide	1	1	.85
5	212C61	Rig Assembly, Brush - Incl. Brushes and Springs	1	1	11.50
6	520A385	Stud, Armature Through-3/8 x 8-1/8"	1	1	.30
7	312A17	Condenser - 0.5 Mfd.	1	1	.90
7	312A15	Condenser - 0.1 Mfd.	1	1	.90
8	232A432	Washer, Generator Frame Clamp	2	2	.25
9	214A41	Brush, Commutator	4	4	1.00
10	214A21	Brush and Spring, Collector Ring	2	2	.35

** Price furnished upon request.

PARTS LIST

REF. PART NO.	DESCRIPTION	QUAN. USED				PRICE EACH
		A	B	C	D	
FIG. 13 - GENERATOR GROUP (CONT.)						
11	212A1003 Spring, Commutator Brush	4				.25
12	212A1042 Clip, Collector Ring Brush and Spring Retainer	1	1			.15
13	212A1045 Clip, Collector Ring Brush and Spring Retainer	1	1			**
14	211C41 Bell, End	1	1			4.00
	221A75 Shoe, Pole	4				**
FIG. 14 - CONTROL GROUP						
1	301C721 Box, Control - Use Begin W/Spec "L" Models	1			1	**
1	301C387 Box, Control - Use Prior Spec. "L"	1			1	**
2	301A521 Bracket, Control Box	1			1	**
3	508-8 Grommet	1			1	.15
4	301B388 Cover, Control Box	1			1	.75
5	307B40 Switch, Start Solenoid	1			1	3.50
6	307B180 Relay, Reverse Current	1			1	4.20
7	302-58 Ammeter, Charge	1			1	2.50
8	308-2 Switch, Hi-Lo Charge Rate	1			1	.75
9	304-51 Resistor, 1.5 Ohm Adj. (3/4" x 4") Use Prior to Spec. "L"	1			1	2.25
9	304-16 Resistor, 2.5 Ohm Adj. (3/4" x 4") Use Begin Spec L.	1			1	2.25
10	308-26 Switch, Start and Stop	1			1	2.00
11	332A198 Bracket, Terminal Block	1			1	**
12	332-222 Block, Terminal				1	.50
13	301A528 Box, Outlet			1		.35
14	323-48 Receptacle, Duplex			1		.90
15	330-16 Cover, Outlet Box			1		.30
	416-77 Cable, Battery	2			2	1.50
	1741 Cable, 3 Conductor - Remote Control Switch - per ft.	As Req.				.035
	308-40 Switch, Remote Start - Stop -W/Cover Plate	1			1	1.25
	416A4 Cable, Battery Jumper	1			1	1.25

WHEN ORDERING PARTS BE SURE TO INCLUDE MODEL AND SERIAL NUMBER OF UNIT!

FIG. 16 - AIR HOUSING GROUP

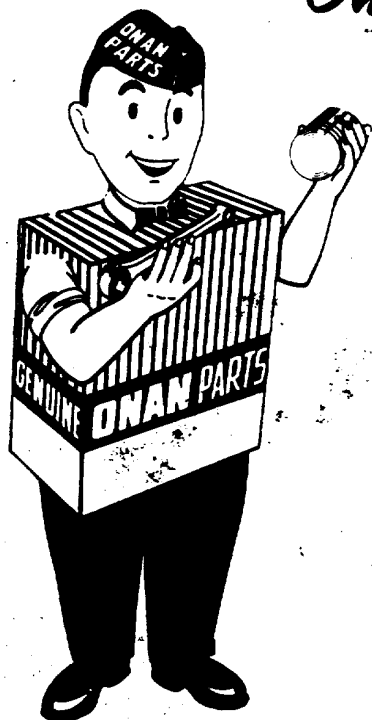
1	134C251	Housing, Blower (See SECOND listing for models WITH generator bearing).	1	1	**
1	134C251	Housing, Blower - Begin W/Spec M.	1	1	**
1	134C147	Housing, Blower - Prior to Spec M.	1	1	**
2	134A83	Bracket, Blower Housing	1	1	**
3	134B257	Housing Assy., Cylinder Air	1	1	**
3	134B144	Housing Assy., Cylinder Air	1	1	2.00
4	403A234	Handle, Carrying W/Bracket - Less Grips	1	1	**
5	403-108	Grip, Carrying Handle	2	1	.30
7	313-18	Button, Stop	1	1	.65
	403C169	Handle, Carrying	1	1	**

SERVICE KITS & MISCELLANEOUS

168K38	Gasket Kit	1	1	3.15
149K74	Fuel Pump Repair Kit	1	1	1.85
141K422	Kit, Carburetor Gasket	1	1	.20
141K423	Kit, Carburetor Repair Parts	1	1	4.00
417-53	Wrench, Breaker Point	1	1	.15
416-89	Hydrometer, Battery	1	1	.75
155A293	Plate, Wall - Exhaust	1	1	**

** Price furnished upon request.

Onan PARTS PETE says . . .



GENUINE ONAN PARTS will simplify your maintenance and service and will insure your Onan Plant operating at its peak efficiency.

• • •

See the dealer from whom you purchased your plant or go to an Onan Authorized Service Station or Parts Center. They will see that you receive the correct parts and will provide any service information you may need.

• • •

If you are operating your plant at a point where it is not convenient to secure very good delivery on parts, or your plant is receiving hard continuous service, your best insurance is to have a complete overhaul kit on hand.

• • •

Many times an added accessory will enable you to put your plant to greater or more complete service. Batteries, switches, controls, dollies or trailers are available for many Onan Plants.

• • •

Remember that the Onan Line is complete in the capacity range of 400 to 35,000 watts in gasoline; 3,000 to 65,000 watts in diesel; 1500 to 35,000 watts in separate generators, and 3,000 to 10,000 in tractor generators. These units are available in standard voltages of A.C., D.C. and battery charging current.

• • •

Onan Generating Equipment is designed for primary, portable, mobile or standby service. Where there is no other source of electricity it supplies primary power. It supplies portable or mobile power for fire and police departments, construction or radio use. For hospitals, hatcheries, industries or home there is no finer source of standby power. See your dealer for any of these needs.